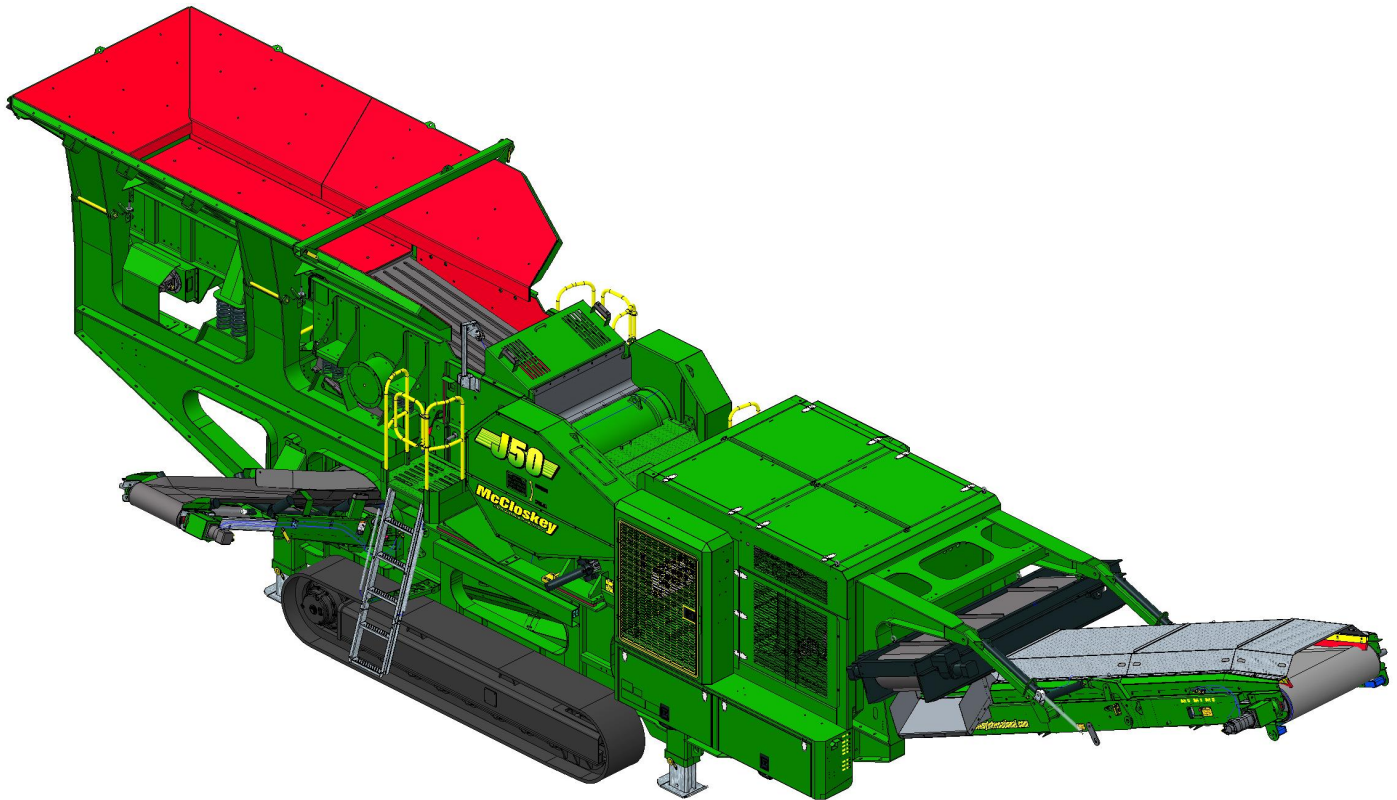
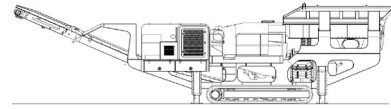


SPECIFICATIONS



McCloskey ***J50v2***

With Pre Screen

**DESCRIPTION**

Heavy duty track mounted Crusher with following features:

- 1270 (50") x 735 (29") single toggle jaw.
- 350Hp C9 /C9.3 Cat engine.
- Track or Track c/w Wheel bogie.
- Integrated hydraulic folding hopper.
- Integrated hydraulic folding stockpiling conveyors.
- I-beam plate fabricated chassis construction.
- Large gap between crusher discharge and main conveyor feedboot
- Open chassis design for ease of maintenance
- Fast setup time

DIMENSIONS AND WEIGHTS

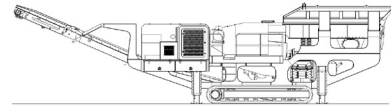
Length - working all models	17.072m (56' – 0.1")
Length - transport all models	15.442m (50' – 8")
Width - transport all models	3.0m (9' – 10")
Height - transport track	3.577m (11' – 8.8")
Weight - track	53,500 Kgs TBA (no magnet)

CAPACITIES

Diesel tank capacity	800 L (211 US gal)
Hydraulic tank capacity	1800 L (475 US Gals)

CRUSHING CHAMBER

Feed opening	1270 (50") x 735 (29")
Crusher speed	280 rpm
Crusher Drive	Hydraulic – V-Belts
Min. opening	51mm (2") *Note Applications
Max. opening	175mm (7") (peak to peak)
Jaw weight	18,535kg (40,863 lbs)
Closed side setting adjustment	Hydraulic wedge system
Motor	Kawasaki axial piston 530cc/rev
Flow rate	440 Lpm (116.2 US gpm)
Level sensor	Ultrasonic
Load sensor	Hydraulic

**PAN FEEDER**

Feeder width (inside wearplates)	1164mm (45.8")
Feeder length	3075mm (121")
Drive	Hydraulic
Motor	David Brown MCC 2208 58.9cc/rev
Flow rate	68.4 Lpm (18.1 US gpm)
Adjustable speed	Yes – via mechanical Flow Control
Variable speed	Yes – via electrical proportional
Maximum speed	975rpm

GRIZZLY PRE SCREEN

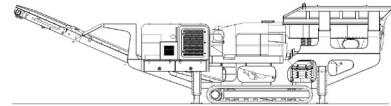
Prescreen width (inside wearplates)	1204mm (47.4")
Prescreen length overall	2120mm (6' – 11.4")
Grizzly section opening	Tapered 35-75mm (1.4" – 3")
Grizzly section length	1872mm (73.7")
Bottom deck mesh	1200mm x 1220 (47.2" x 48")
Drive	Hydraulic
Motor	David Brown MCC 2208 58.9cc/rev
Flow rate	68.4 Lpm (18.1 US gpm)
Adjustable speed	NO
Auto stop start system	YES
Maximum speed	1050rpm

HOPPER

Length overall	5374mm (17' - 8")
Loading length	4107mm (13' - 5")
Loading width	2440mm (8')
Volume	6.8m ³ (8.9yd ³)
Material	8mm sides + 10mm Hardox liners
Locking system	Wedge type and toggle

SIDE CONVEYOR

Stockpile height	2584mm (8' – 6")
Belt width	650mm (26")
Belt spec	EP 400/3 3+1.5
Drive drum dia.	220mm (8.6")
Tail drum dia.	220mm (8.6") - spoked
Motor	OMT400
Flow rate	43.7 Lpm (11.5 US gpm)
Adjustable speed	YES
Maximum speed	109.3 rpm

**MAIN CONVEYOR**

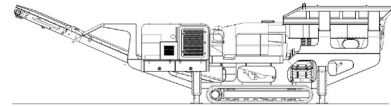
Stockpile height	4250mm (13' – 11")
Belt width	1200mm (48")
Belt spec	Plain 500/3 8+2
Drive drum dia.	350mm (13.7")
Tail drum dia.	270mm (10.6") - spoked
Motor	OMV630
Flow rate	87.4 Lpm (23.1 US gpm)
Maximum speed	138.7 rpm
Angle adjustable	YES
Quick release	YES

POWERUNIT AND HYDRAULICS

Engine Tier 3 Option	CAT C9
Engine Teir 4i Option	CAT C9.3
Engine power Tier 3 Option	261 kW (350 HP)
Engine power Tier 4i Option	261 kW (350 HP)
Engine speed	1900 rpm
Flywheel Pump 1	Kawasaki K3V140DT
LH PTO Pump 2	David Brown 5036 5023
Front PTO Pump 3	David Brown 5046 2SPA11
Total system flow	660.4 Lpm (174.5 US Gpm)
Hydraulic tank capacity	1800 L (475 US Gals)
Hydraulic tank ratio	2.73 : 1
Hydraulic Oil cooler	YES

ELECTRICS

Emergency stops	4 off, 2 feeder, 2 powerunit
Chassis cabling	Armored cable
Start Siren	YES - 10 sec delay
Control panel	Tedd Engineering / IFM
Engine shutdowns:	Low oil pressure High water temp Low hydraulic tank level High hydraulic oil temperature
Radio control tracks and feeder	STANDARD
Pendant track control	YES - plugged in control cabinet
Emergency stops	4 off, 2 feeder, 2 powerunit
Chassis cabling	Armored cable

**TRACKS**

Width	500mm (19.7")
Length	3800mm (12' - 6") crs
Height	798mm (31.4")
Gearbox	Bonfiglioli 711
Ratio	153:1
Motor	Rexroth 90
Speed max	1.50 Kph (0.93 Mph)
Flow rate	138 Lpm (36.45 US gpm)
Multiple speeds	Three speed system selectable at control panel with smooth start / stop.
Attachment to chassis	Bolt On for quick change

OPTIONS

Roll-in bogie system	
50mm or 70mm Aperture Bofor	
Main conveyor variable speed control	
Hopper Extensions	
Overband magnet	
Water Pump and dust suppression system	
Diesel refueling pump	
Square tooth quarry dies	
30mm corrugated dies	
50mm corrugated dies	
Multitooth dies	
Crusher Deflector Plate – (Belt Protection)	
High level side walkways	STANDARD

SAFETY FEATURES

External belt alignment points
External grease points
Engine safety shutdown systems
Full safety guarding for nip points

